

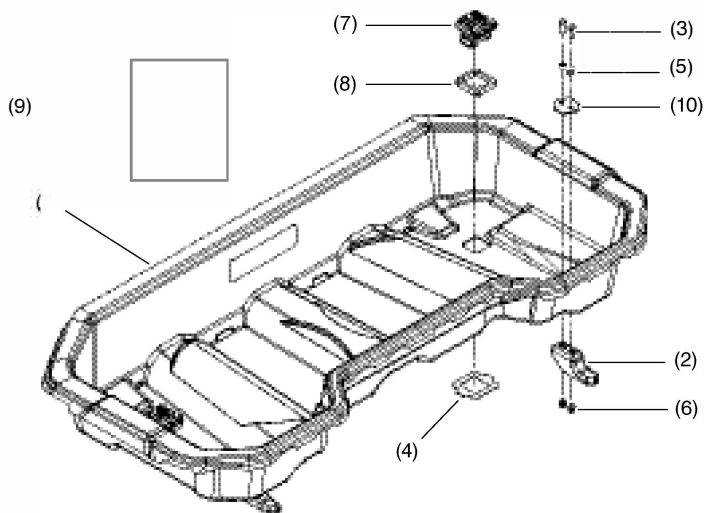


# INSTALLATION INSTRUCTIONS

Accessory	Application	Publication No.
REAR UTILITY BASKET P/N OSL64-HR3-A01	TRX420 AFTER 2020 TRX520 AFTER 2020 TRX700 2024	MII 17151
		Issue Date
		February 2021

Honda Dealer: Please give a copy of these instructions to your customer.

## PARTS LIST



No.	Description	Qty
(1)	Rear Basket	1
(2)	Hook	2
(3)	3 x 20 mm Button Head screw	4
(4)	Snap ring	2
(5)	10 mm Washer	4
(6)	8 mm Hex Flange Nylon nut	4
(7)	HONDA PRO-CONNECT™ latch	2
(8)	Rubber Spacer	2
(9)	Installation Instruction URL	1
(10)	Bracket	2

**▲ WARNING:** Overloading this ATV or improperly carrying cargo can affect handling, braking performance and stability and can lead to a crash resulting in **SERIOUS INJURY** or **DEATH**

### NOTE:

- **NEVER** exceed maximum weight limit printed on the vehicle and in the ATV owner's manual.
- **ALWAYS** secure cargo carried in the utility basket to the ATV rack to securely prevent shifting.

### NOTE:

- Always make sure the two hooks and Pro-Connect™ are properly engaged before riding.
- Please read and follow all instructions and warning supplied with the basket and the vehicle rack.

### NOTICE:

- Only use straps to secure cargo; use of ratcheting tie down straps could damage the rack and vehicle.

## TOOLS REQUIRED

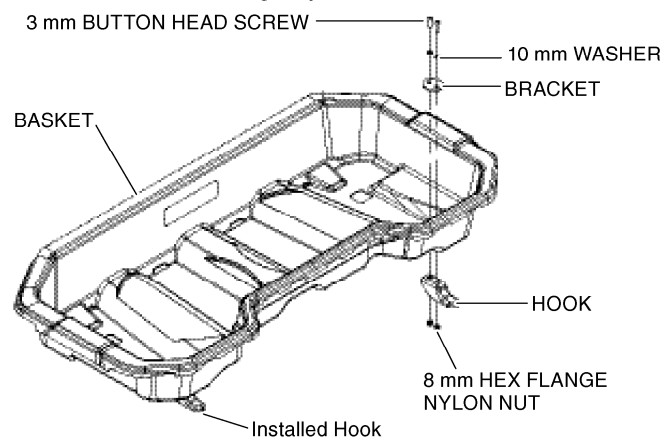
Ratchet  
Torque wrench  
Hex wrench (3 mm)  
Socket (8 mm)

## TORQUE CHART

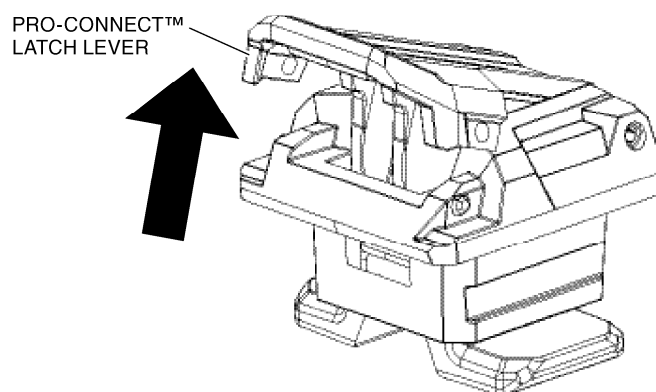
Item	N·m	Kfg·m	lbf·in
3 x 20 mm Button Head screw	5	0.51	44

## INSTALLATION

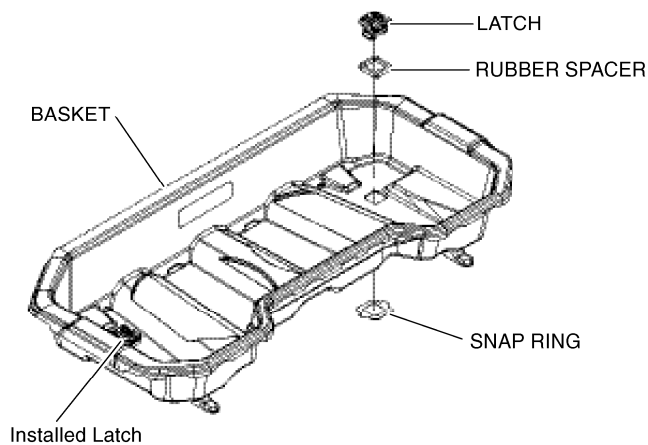
1. Install two hooks from underneath the utility basket using 3 mm button head socket screws, washers, brackets and flange nylon nuts.



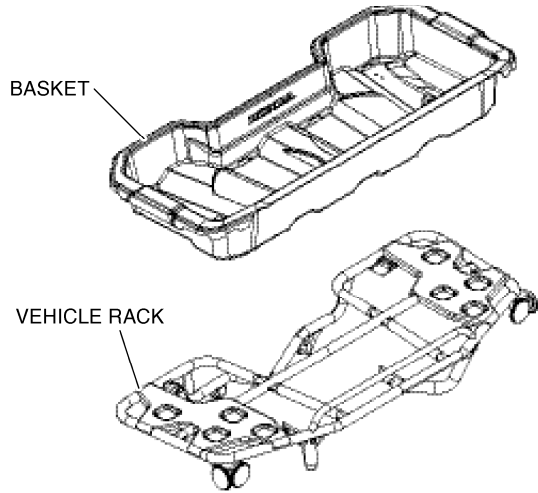
2. Lift the lever on each Pro-Connect™ latch to unlock them and slide the Rubber Spacer around the Pro-Connect™ latch. Insert the Pro-Connect™ latch and spacer assembly in the basket square hole and secure the latches by installing a snap ring onto each latch from underneath the basket.



Before and after latch installation on the basket are shown in the picture below.



3. Lift the lever on each latch to unlock them. Place the utility basket onto the rear rack of the ATV. Line up each latch with its corresponding hole in the rack then push each latch into its hole.



4. Secure the cargo box to the vehicle by pressing down each Honda Pro-Connect™ latch lever.

